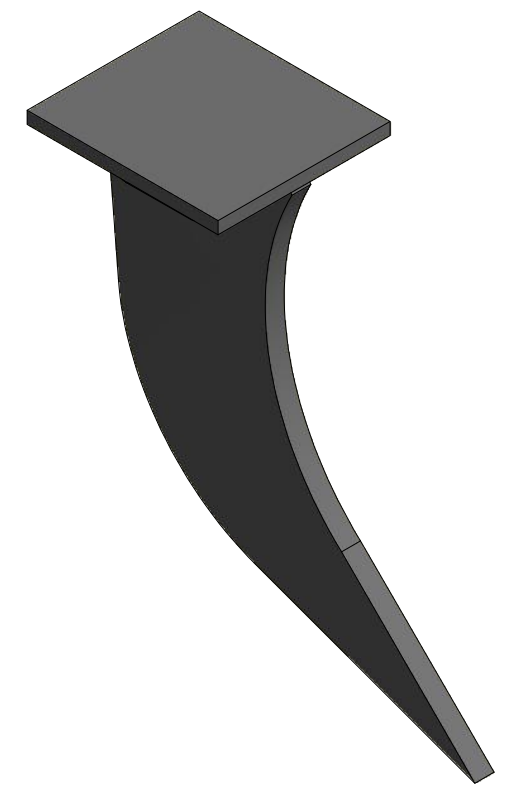
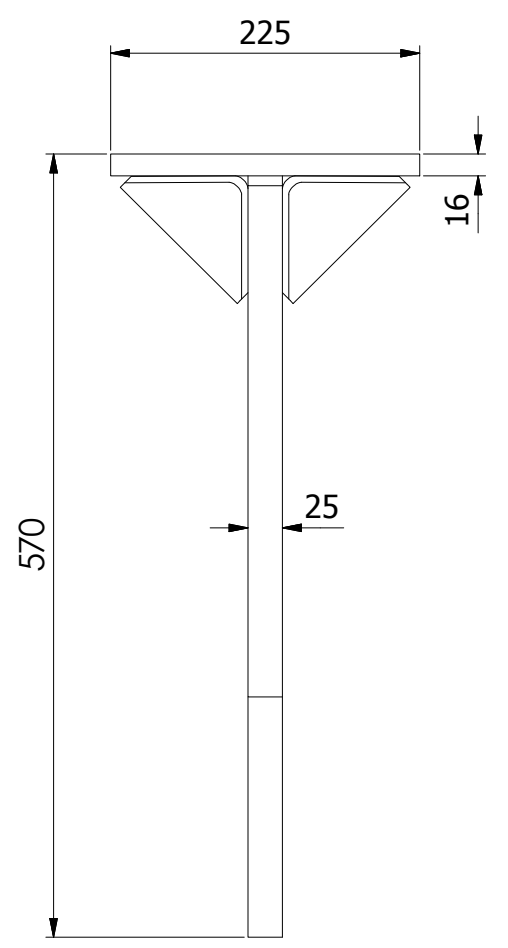
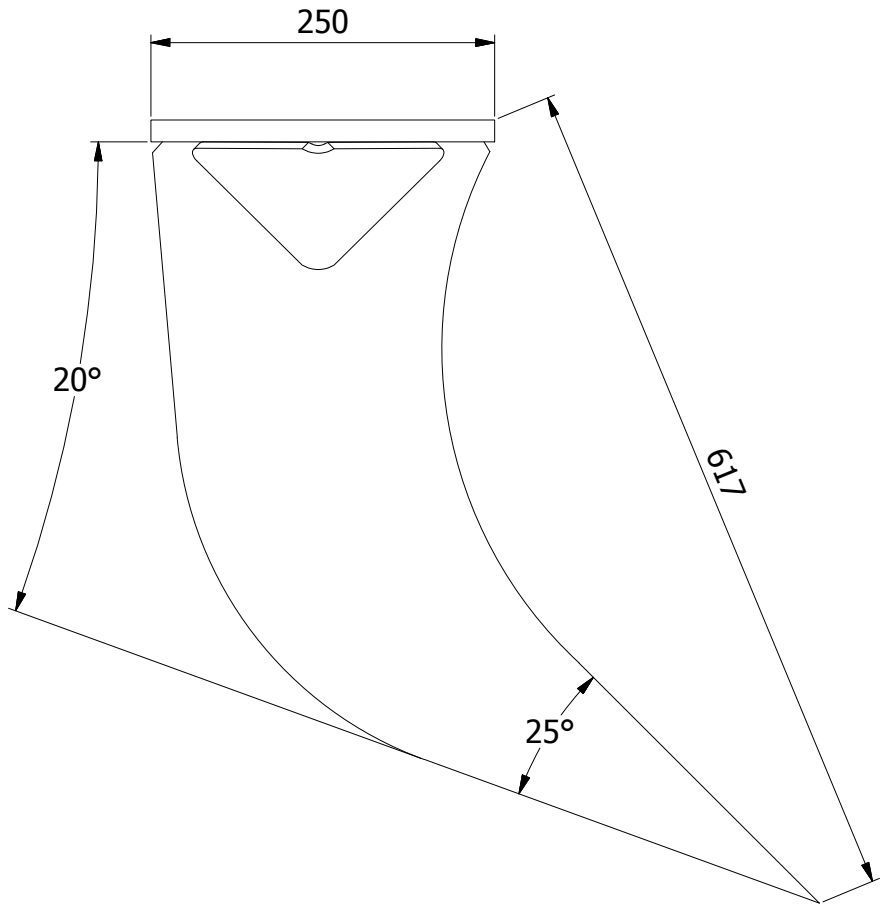


8 7 6 5 4 3 2 1

D D








C B

C B

A

A

MATERIAL SPECIFICATION	
	ST52.3
	EN8D
	HB 400
	HB 450
	CASTALLOY STEEL

<b>SCANBOLT®</b>	
DESCRIPTION	RIPPER PLATE TYPE
MACHINE CLASS	0.5 - 1.5 TON
WEIGHT	30.5 Kg
HEAPED CAPACITY	N/A

8 7 6 5 4 3 2 1